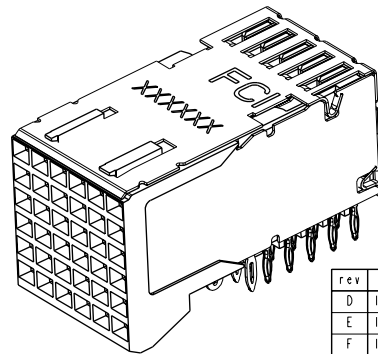
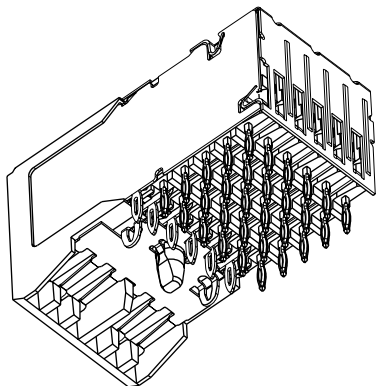
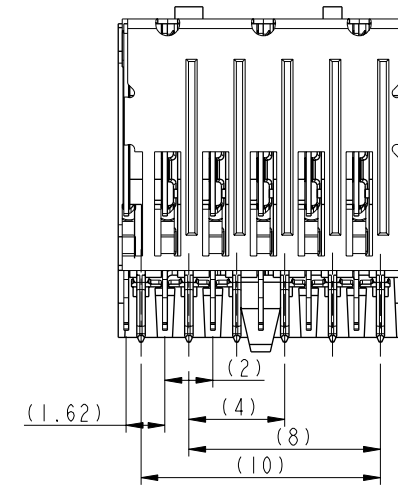
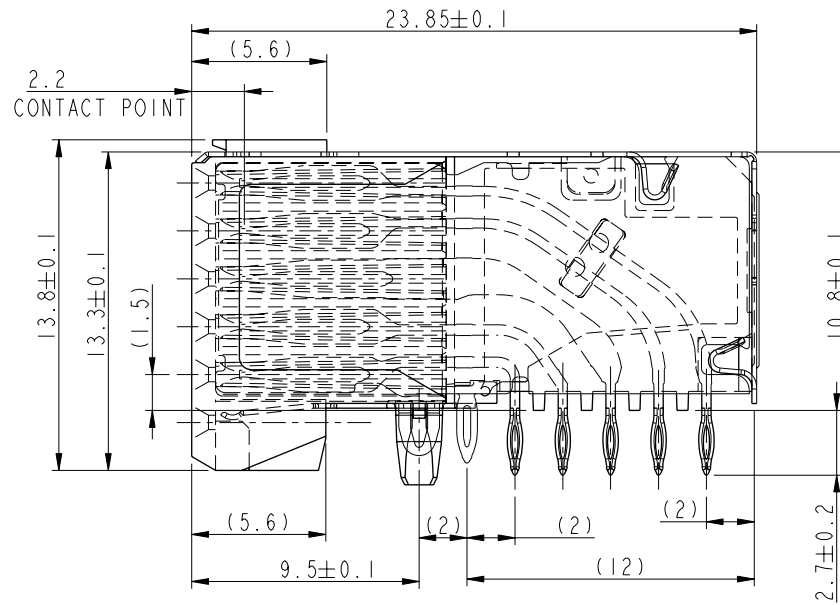
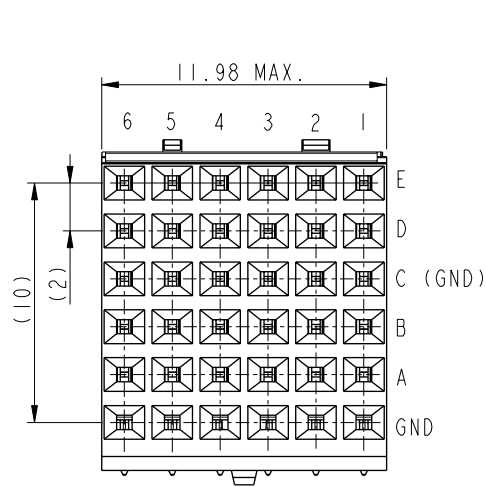


| Product-number | Plating Performance Level | Application |
|----------------|---------------------------|-------------|
| 52057-102 | TELCORDIA CO | Standard |
| 52057-102LF | TELCORDIA CO | Lead Free |
| 52057-302 | Customer Special | Standard |
| 52057-302LF | Customer Special | Lead Free |

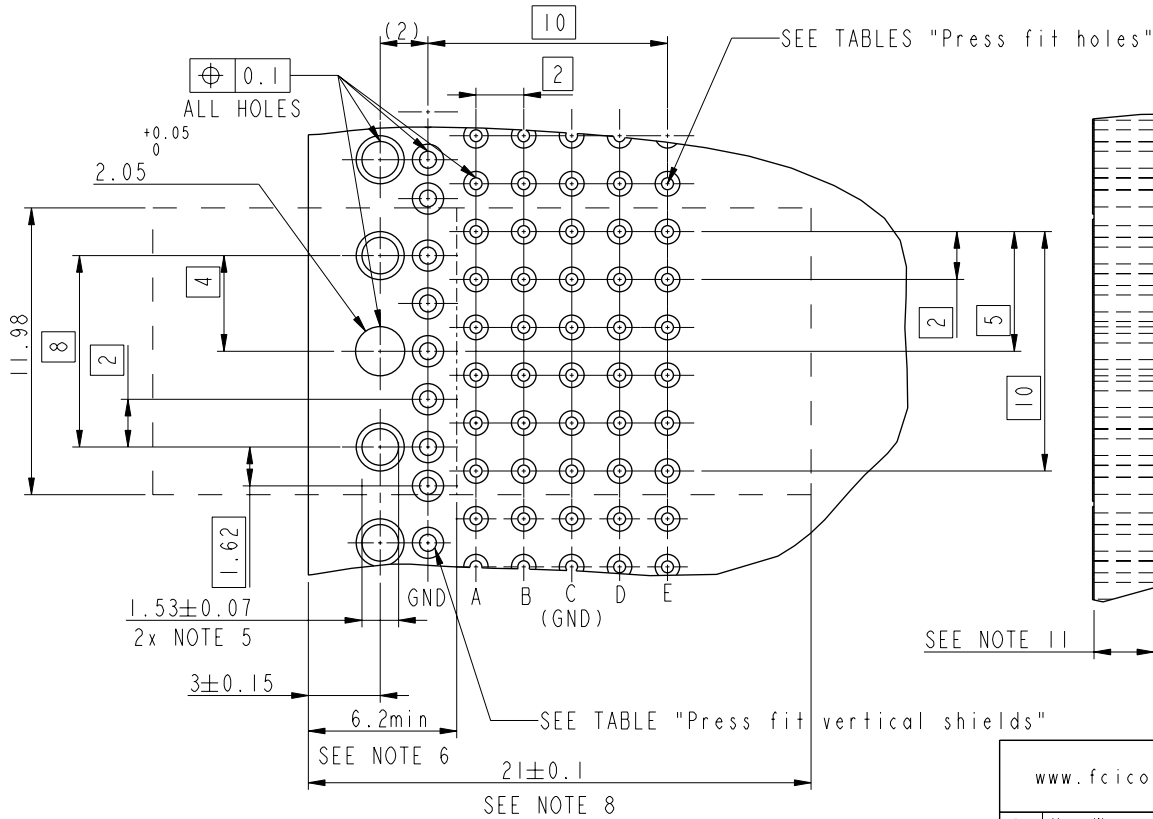


| rev | ecn no | dr | date |
|-----|----------|-----|------------|
| D | 103-0001 | BKP | 2003-04-22 |
| E | 103-0048 | BKP | 2003-10-11 |
| F | 104-0008 | BKP | 2004-02-06 |
| G | 105-0144 | AB | 2005-08-23 |
| H | 106-0107 | AB | 2006-07-18 |
| J | V07-0437 | AB | 2007-08-10 |

| | | | | | |
|---------------------------------------|-------------|-------------|------------------|----------------|--------------|
| www.fciconnect.com | | surface - ✓ | tolerance std | projection | mm |
| | | ISO 1302 | ISO 406 ISO 1101 | ⊕ | ←→ |
| TOLERANCES UNLESS OTHERWISE SPECIFIED | | | | | |
| Dr | H v Woensel | 2001-08-17 | ANGULAR | 0.X ±0.3 | size A3 |
| Eng | H v Woensel | 2001-08-17 | LINEAR | 0.XX ±0.1 | Scale 5:1 |
| Chr | R Oerlemans | 2001-08-17 | 0° ±2° | 0.XXX ±0.05 | ECN - |
| Appr | H v Woensel | 2001-08-17 | Product family | METRAL 4000 | Spec ref - |
| FCJ | | | | 5x6 Receptacle | Rev. J |
| Signal Assembly | | | | 52057C | |
| catalog no | | | | CUSTOMER COPY | sheet 1 of 3 |

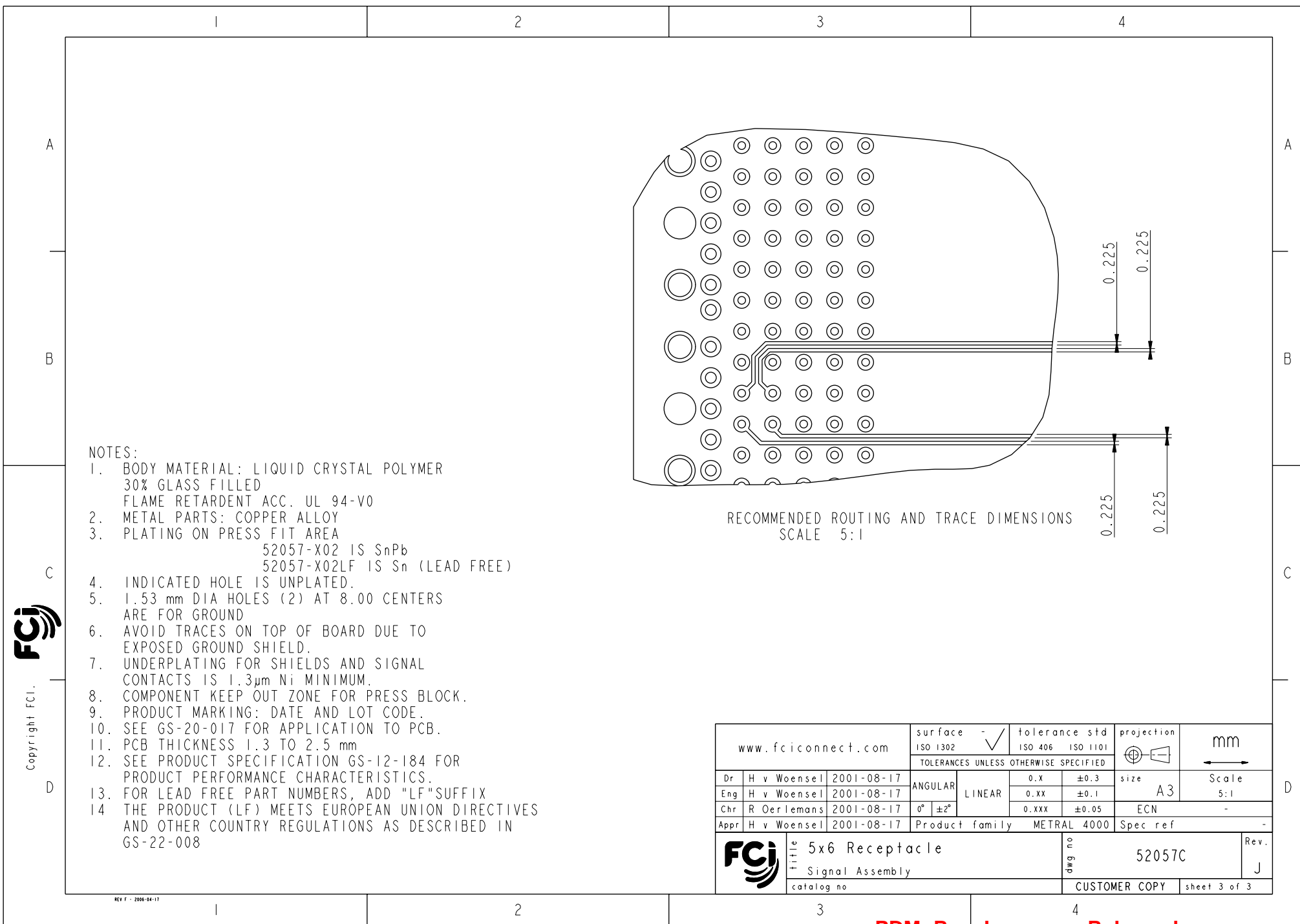
REV F - 2006-04-17

| | Signal PTH Details | | | Vertical Shield PTH Details | |
|-------------------|--------------------|-------------------|-----------------|-----------------------------|-------------------|
| | SnPb Finish | Sn Finish | Cu Finish | SnPb Finish | Sn Finish |
| Drilled Hole | 0.58 - 0.62 mm | 0.58 - 0.62 mm | 0.58 - 0.62 mm | 0.81 - 0.86 mm | 0.81 - 0.86 mm |
| Copper Plating | 25 - 50 μ m | 25 - 50 μ m | 25 - 50 μ m | 25 μ m MIN | 25 μ m MIN |
| SnPb Plating | 5 - 15 μ m | ----- | ----- | 5 - 15 μ m | ----- |
| Sn Plating | ----- | 0.8 - 1.2 μ m | ----- | ----- | 0.8 - 1.2 μ m |
| Finished Hole Dia | 0.45 - 0.55 mm | 0.46 - 0.55 mm | 0.48 - 0.57 mm | 0.65 - 0.80 mm | 0.65 - 0.80 mm |



RECOMMENDED PCB HOLE
PATTERN - COMPONENT SIDE

| | | | | | | | | |
|--------------------|-------------|------------|--|---|---|----------|--------------|--------|
| www.fciconnect.com | | | surface <input checked="" type="checkbox"/> ISO 1302 | tolerance std <input checked="" type="checkbox"/> ISO 406 <input type="checkbox"/> ISO 1101 | projection <input checked="" type="checkbox"/> <input type="checkbox"/> | mm | | |
| | | | TOLERANCES UNLESS OTHERWISE SPECIFIED | | | | | |
| Dr | H v Woensel | 2001-08-17 | ANGULAR | LINEAR | 0.x | ±0.3 | size | Scale |
| Eng | H v Woensel | 2001-08-17 | | | 0.xx | ±0.1 | A3 | 5:1 |
| Chr | R Oerlemans | 2001-08-17 | 0° | ±2° | 0.xxx | ±0.05 | ECN | - |
| Appr | H v Woensel | 2001-08-17 | Product family | | METRAL 4000 | Spec ref | | - |
| | | | Title | | 5x6 Receptacle | | diag no | 52057C |
| | | | Signal Assembly | | | | Rev. | J |
| | | | catalog no | | CUSTOMER COPY | | sheet 2 of 3 | |



NOTES:

1. BODY MATERIAL: LIQUID CRYSTAL POLYMER
30% GLASS FILLED
FLAME RETARDANT ACC. UL 94-V0
2. METAL PARTS: COPPER ALLOY
3. PLATING ON PRESS FIT AREA
52057-X02 IS SnPb
52057-X02LF IS Sn (LEAD FREE)
4. INDICATED HOLE IS UNPLATED.
5. 1.53 mm DIA HOLES (2) AT 8.00 CENTERS
ARE FOR GROUND
6. AVOID TRACES ON TOP OF BOARD DUE TO
EXPOSED GROUND SHIELD.
7. UNDERPLATING FOR SHIELDS AND SIGNAL
CONTACTS IS 1.3µm Ni MINIMUM.
8. COMPONENT KEEP OUT ZONE FOR PRESS BLOCK.
9. PRODUCT MARKING: DATE AND LOT CODE.
10. SEE GS-20-017 FOR APPLICATION TO PCB.
11. PCB THICKNESS 1.3 TO 2.5 mm
12. SEE PRODUCT SPECIFICATION GS-12-184 FOR
PRODUCT PERFORMANCE CHARACTERISTICS.
13. FOR LEAD FREE PART NUMBERS, ADD "LF" SUFFIX
14. THE PRODUCT (LF) MEETS EUROPEAN UNION DIRECTIVES
AND OTHER COUNTRY REGULATIONS AS DESCRIBED IN
GS-22-008

RECOMMENDED ROUTING AND TRACE DIMENSIONS
SCALE 5:1



Copyright FCI.

| | | | | | | | | | |
|--------------------|-----|-----------------|---------------------------------------|----------------|----------------|------------|--------------|--------|------|
| www.fciconnect.com | | | surface | - | tolerance std | projection | | mm | |
| | | | ISO 1302 | ✓ | ISO 406 | ISO 1101 | ⊕ | | |
| | | | TOLERANCES UNLESS OTHERWISE SPECIFIED | | | | | ↔ | |
| Dr | H v | Woensel | 2001-08-17 | ANGULAR | 0.X | ±0.3 | size | Scale | |
| Eng | H v | Woensel | 2001-08-17 | LINEAR | 0.XX | ±0.1 | A3 | 5:1 | |
| Chr | R | Oerlemans | 2001-08-17 | 0° ±2° | 0.XXX | ±0.05 | ECN | - | |
| Appr | H v | Woensel | 2001-08-17 | Product family | METRAL 4000 | Spec ref | - | | |
| FCI | | Title | | | 5x6 Receptacle | | ding no | 52057C | Rev. |
| | | Signal Assembly | | | | | J | | |
| | | catalog no | | | CUSTOMER COPY | | sheet 3 of 3 | | |